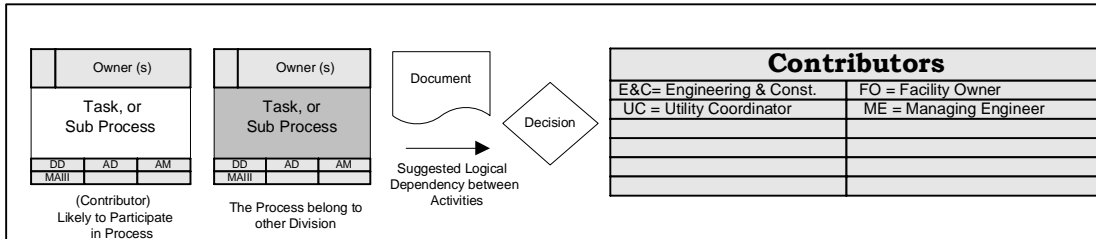
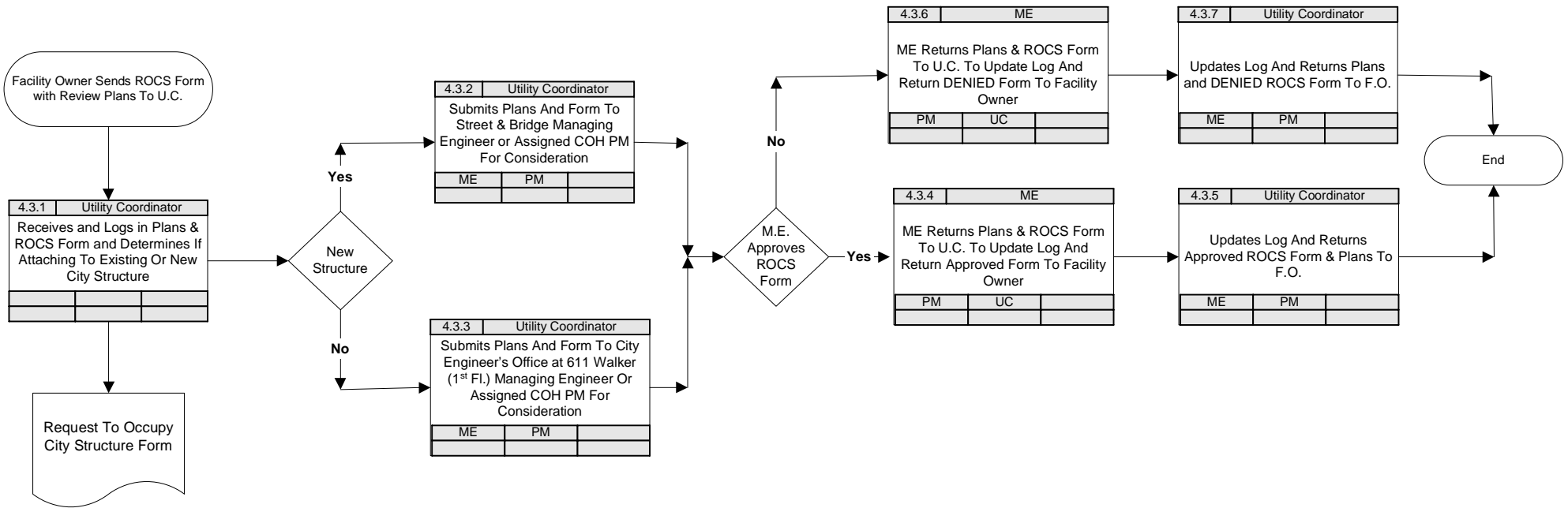


ENGINEERING AND CONSTRUCTION DIVISION PROCESS 4.3

PROCESS FOR REQUEST TO OCCUPY CITY STRUCTURE (ROCS) FORM



Drawing Page : **1** of **1**

Created By :
Engineering and Construction Division
Engineering Branch

Date : **08/08/07**

